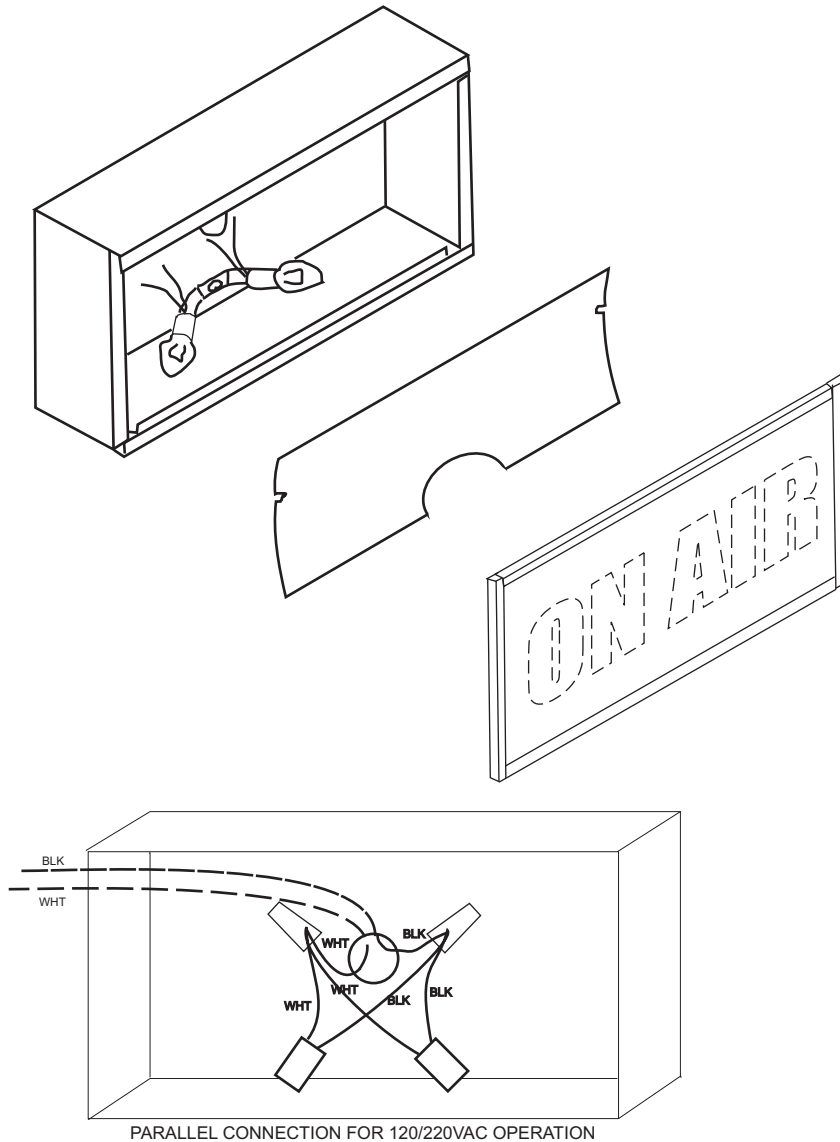




225 Lincoln Highway Suite 167
Fairless Hills, PA 19030
Ph 215 547-2570 Fx 215 701-9197 www.sandiesusa.com

STUDIO WARNING LIGHTS INSTALLATION INSTRUCTION



- 1) Install electrical service through rear of light box.
- 2) Use wire nuts (included) to connect white and black wires.
- 3) Mount box to wall outlet.
- 4) Install reflector plate to box brackets using sheet metal screws. (included)
- 5) Ensure bottom of reflector plate lies behind light sockets when installed.
- 6) Insert lamps (included) into lamp sockets.
- 7) Remove protective paper from lens and replace diffusor paper and rubber gasket.
- 8) Slide lens assembly into side of box with open lens channel.